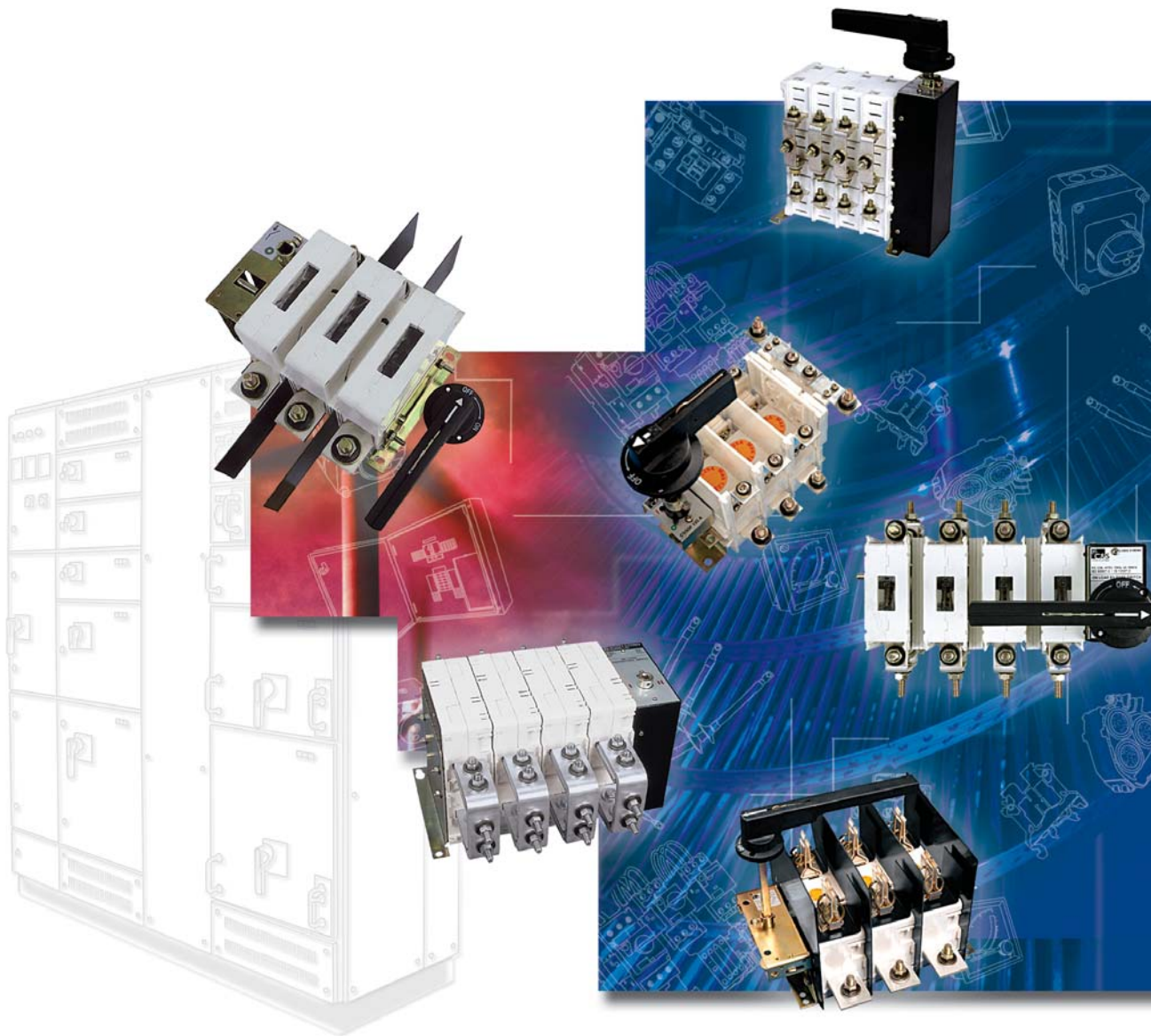







Panel Mount Switches



-  Load Break Switches
-  Fuse Switches
-  Changeover Switches





IPD Industrial Products is an Australian owned distributor of a wide variety of low voltage electrical and automation products for the Australian Industry.

IPD Industrial Products traces its beginnings to the General Electric Company Ltd of England, founded in 1889. Over the years, the company integrated the major electrical businesses of GEC, English Electric, Marconi, Henley and A.E.I to comprise one of the most extensive and diverse electrical engineering and manufacturing organisation in the world.

In 1956, English Electric opened its operation at Regents Park in Sydney, and has provided employment and training to thousands of people in the Australian electrical industry. Today it remains as a much changed and diverse organisation, IPD Industrial Products, a 100% Australian owned, managed and operated company.

IPD Industrial Products delivers strong brand names and leading-edge developments, providing world class manufacturers a powerful presence in Australia. IPD Industrial Products is committed to offering the customer a technically compliant solutions based offering.

IPD Industrial Products designs and manufactures a large range of products specifically suited to the local environment. An in-house engineering team is employed to develop and test equipment, ensuring conformity to Australian Standards and the highest customer satisfaction.



»»»» IPD Distributes the following brands:



IPD Group Ltd. © Copyright 2007

PRODUCT SCOPE

The C&S range of switches includes load break switches up to 3,150A, switch fuses to 800A, changeover switches and bypass switches.

Load break switches are used in a wide variety of applications from main isolators on incoming main switchboards to field isolators for three phase motors which can be hundreds of metres away for the control panels that supply them. They can then be called into play to switch high currents safely in emergency situations and so carry out an important roll in control networks today.

Switch fuse units also play an important roll today in protecting networks from short circuit currents will providing the switch capabilities of load break switches in the one unit. Switch fuse units provide the user a cost effective solution for the protection of distribution networks as well as offering a reliable alternative to other protection methods.

Changeover switches form an integral part of power supply networks today. Emergency or secondary power supplies are almost mandatory today to optimise production capabilities and investments in business. Changeover switches are used to switch manually between normal and back-up power suppliers during maintenance or during a power outage.

CONTENTS:

1 - LOAD BREAK SWITCHES

2

63 - 3150A

2 - FUSE SWITCHES

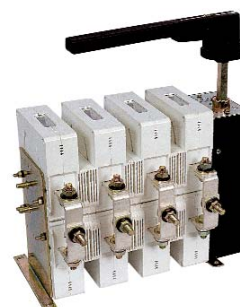
11

63 - 800A

3 - CHANGEOVER SWITCHES

19

63 - 1600A



1

LOAD BREAK SWITCHES

2

FUSE SWITCHES

3

CHANGEOVER SWITCHES

LOAD BREAK SWITCHES

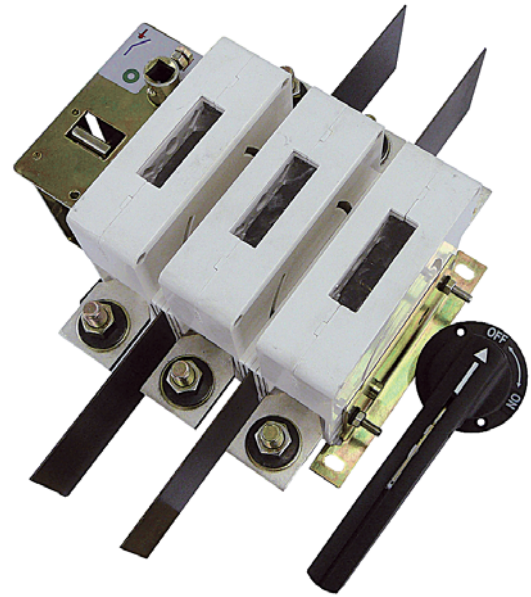


Features:

- »»» 690v ac
- »»» 160 - 3,150A
- »»» Fully rated AC23
- »»» Tested to IEC60947
- »»» Modular construction
- »»» Visible contacts
- »»» Generous cabling space

Applications:

- »»» Main service entrance switch
- »»» Switching & Isolating motors
- »»» Switching & Isolating capacitors
- »»» Switching & Isolating Industrial Control equipment
- »»» AC or DC safety switch



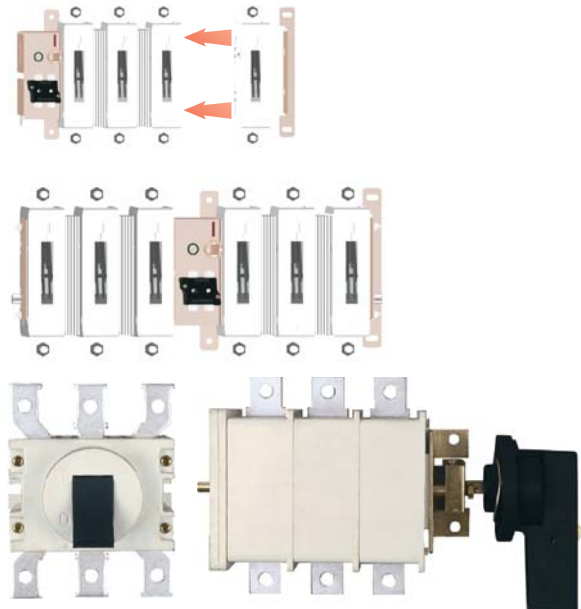
FLEXIBLE DESIGN

Modular yet reliable construction

C&S Switch Disconnectors employ a modular assembly for both the operating mechanism and the poles. The contact system, placed in separate housings for individual phase poles, are joined together to form a switch with any number of poles - from 1 pole up to 8 poles.

The flexibility of this arrangement also permits placing the mechanism in between the poles. 63A-315A switches (from DM range) with side operated mechanism are also offered.

Switches can be ordered as per installation requirements, 2 pole for DC; 3 pole for 3 phase, 3 wire system; 4 pole for 3 phase, 4 wire system or 6 pole for Star Delta motors.



LOAD BREAK SWITCHES

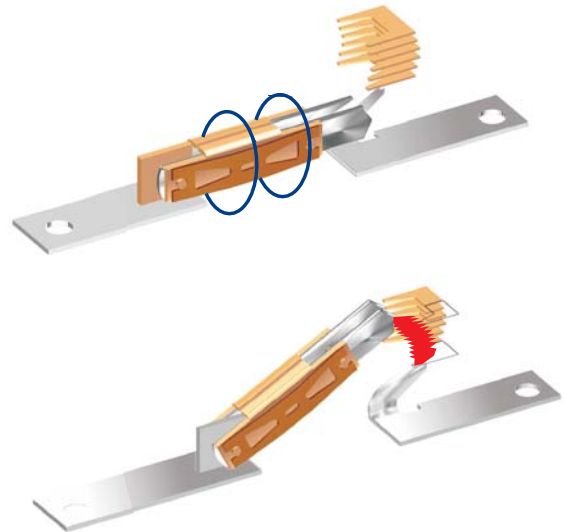
UNIQUE CONTACT MECHANISM

Efficient Switching & Long life

Switch Disconnectors 200A and above employ a unique Knife Contact Mechanism which utilises the magnetic attraction principle on the moving contacts. As current increases, the contact force automatically increases, ensuring optimum contact at all times, high making and breaking capacity up to 690V and low temperature rise leading to a long electrical life.

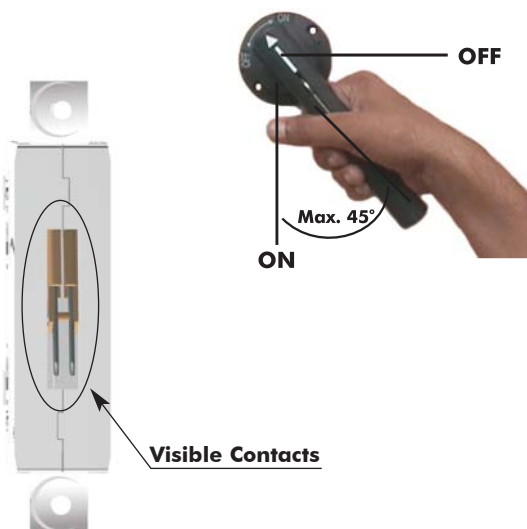
The fixed contact design results in separate arcing and current carrying surfaces. It again ensures that the current carrying surface remains unaffected by arcing, maintaining the same contact pressure and enhancing electrical life. The special shape of the fixed contact also helps to blow the arc into the arc-chute where it is swiftly extinguished under controlled conditions, safely.

With every switching cycle, the knife contacts clean themselves. This makes them perfectly suited for adverse conditions in general and for high pollution and corrosive conditions as in Chemical Plants, Cement Plants, Steel Plants, etc., including applications such as motors and capacitor switching.



1

LOAD BREAK SWITCHES



SWITCH CONSTRUCTION

Safety Built-in

C&S designers introduced the concept of protection in case of "welded contacts" by positive break forced opening of the contacts. In the event of high currents and protection systems failing to operate, leading to welding of contacts, the handle will not turn beyond 45° from the ON position, clearly indicating that the contacts are welded.

Convenience of contact visibility permits contact position inspection, without removing the switch from installation, thus enhancing reliability and saving time.

The self-extinguishing fibre glass re-inforced insulated body of each pole has a very high tracking index. The large gap between the fixed and moving contacts in the OFF position, makes them suitable for isolation.

Door interlocking prevents the door opening with the switch in the ON position, guarding the operator against an accidental mishap. As a standard, up to 3 padlocks can be utilised in the OFF position to prevent closing the circuit during maintenance work. The interlock can be defeated with a minor modification where required.

ACCESSORIES

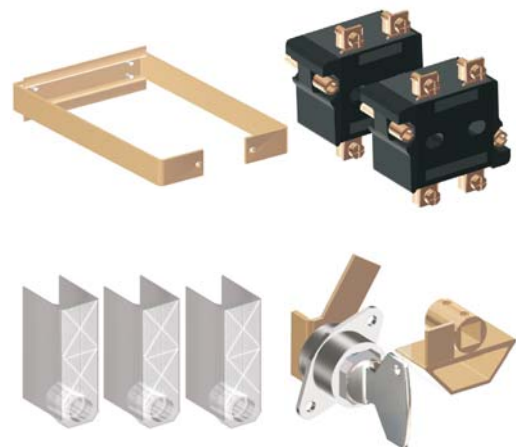
Flexibility to suit Application

The accessory range increases the switches suitability for diverse application, enhances operational flexibility and improves installation safety.

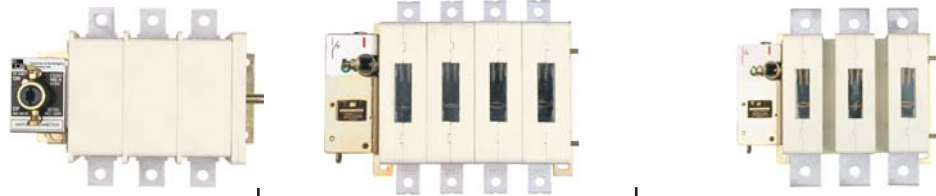
The handle mounting kit enables the switch to be mounted completely inside an enclosure so that it can be operated only after opening the door.

The auxiliary contacts permit electrical interlocking, remote indication and alarms. The key interlock components enable interlocking with different categories of products.

Shrouds encase the terminals so that no falling hardware may get embedded between the terminals resulting in flashovers. External changeover mechanisms are available for both switch disconnectors and switch fuse disconnectors.



LOAD BREAK SWITCHES



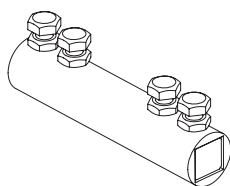
RANGE					
Part Number 3 pole	CSSD160DM3	CSSD250K3	CSSD400K3	CSSD630K3	CSSD800K3
Part Number 4 pole	CSSD160DM4	CSSD250K4	CSSD400K4	CSSD630K4	CSSD800K4
OPERATION					
Current rating	160A	250A	400A	630A	800A
Operational kW AC-23 @ 415V	75kW	132kW	200kW	315kW	350kW
Short circuit rating 1 second	5kA	10kA	20kA	24kA	24kA
DIMENSIONS					
Height mm	142	205	205	223	223
Width (3 pole) mm	190	211	211	244	260
Width (4 pole) mm	230	257	257	306	330
Depth mm	124	130	130	130	130
ACCESSORIES					
Standard terminal barrier	-	Included	Included	Included	Included
Terminal shrouds (6)	SF702-K	SF703-K	SF703-K	SF704-K	SF704-K
Spare handle	CSDB 20	CSDB 16	CSDB 16	CSDB 16	CSDB 16
Spare shaft - standard	6x165mm	12x255mm	12x255mm	12x255mm	12x255mm
Spare shaft - extended	CSP-6x340	CSP-12x465	CSP-12x465	CSP-12x465	CSP-12x465
12mm shaft extension socket	-	CSSDZX95	CSSDZX95	CSSDZX95	CSSDZX95
Direct handle mounting kit	-	HMK-1	HMK-1	HMK-1	HMK-1
Auxiliary 1 c/o	CSSDF-ZX 1	CSSDF-ZX 33	CSSDF-ZX 33	CSSDF-ZX 33	CSSDF-ZX 33
Auxiliary 2 c/o	CSSDF-ZX 16	CSSDF-ZX 34	CSSDF-ZX 34	CSSDF-ZX 34	CSSDF-ZX 34
Extended terminals 3p	ET327	ET329	ET329	-	-
Extended terminals 4p	ET328	ET330	ET330	-	-
Castell type interlock mech ¹⁾	CSSD-ZW15	CSSD-ZW4	CSSD-ZW4	CSSD-ZW4	CSSD-ZW4
Changeover mechanism	CSSDZW6/1	CSSF-ZW11	CSSF-ZW11	CSSF-ZW11	CSSF-ZW11
RECOMMENDED ENCLOSURES					
Mild Steel Part Number	ELS50630	ELS50660		ELS50710	
W x H x D (mm)	300 x 300 x 150	300 x 400 x 200		400 x 500 x 200	
Polyester Part Number	APO41	APO71		APO51(3P only)	APO11(3P or 4P)
W x H x D (mm)	300 x 300 x 175	300 x 320 x 175		300 x 485 x 175	370 x 600 x 210

Standard Shaft and Handle included with switch

- 1) Fortress Lock types
 - H31/RH (LPP)
 - FS1 (CASTELL)



Changeover Mechanism



12mm Shaft Coupling



Handle Mounting Kit
(200A - 1800A)



Handle & Shaft

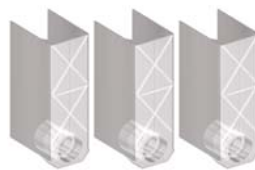
LOAD BREAK SWITCHES



CSSD1000K3 CSSD1000K4	CSSD1250K3 CSSD1250K4	CSSD1600K3 CSSD1600K4	CSSD1800K3 CSSD1800K4	CSSD2500K3 CSSD2500K4	CSSD3150K3 CSSD3150K4
1000A	1250A	1600A	1800A	2500A	3150A
400kW	400kW	400kW	400kW	400kW	400kW
50kA	50kA	50kA	50kA	80kA	80kA
372	372	372	372	372	372
343	343	461	461	468	468
423	423	600	600	607	607
125	125	125	125	271	271
-	-	-	-	-	-
SF704-K	SF704-K	-	-	-	-
CSD8 28	CSD8 28	CSD8 28	CSD8 28	CSDA 8	CSDA 8
12x255mm	12x255mm	12x255mm	12x255mm	12x325mm	12x325mm
CSP-12x465	CSP-12x465	CSP-12x465	CSP-12x465	CSP-12x465	CSP-12x465
CSSDZX95	CSSDZX95	CSSDZX95	CSSDZX95	CSSDZX95	CSSDZX95
HMK-3	HMK-3	HMK-3	HMK-3	-	-
CSSDF-ZX 35	CSSDF-ZX 35	CSSDF-ZX 35	CSSDF-ZX 35	CSSDF-ZX 35	CSSDF-ZX 35
CSSDF-ZX 36	CSSDF-ZX 36	CSSDF-ZX 36	CSSDF-ZX 36	CSSDF-ZX 36	CSSDF-ZX 36
-	-	-	-	-	-
-	-	-	-	-	-
CSSD-ZW4	CSSD-ZW4	CSSD-ZW4	CSSD-ZW4	CSSD-ZW4	CSSD-ZW4
CSSF-ZW12	CSSF-ZW12	CSSF-ZW12	CSSF-ZW12	CSSF-ZW12	CSSF-ZW12
ELS50755 500 x 700 x 250		ELS50860 800 x 1000 x 250		ON REQUEST	
APO12 600 x 600 x 210		APO12 (3P only) 600 x 600 x 210		ON REQUEST	

Standard Shaft and Handle included with switch


Auxiliary Contacts
200A & above

Auxiliary Contacts
160A

Terminal Shrouds

Extended Terminals

Key Interlock
Components



LOAD BREAK SWITCHES

TECHNICAL DATA ACCORDING TO IEC 60947

TYPE - CSSD-		Size		160
		Switch Type		160DM3/4
Rated insulation voltage	Pollution degree 3	50 Hz 1min.	V	1000
Max operational voltage without de-rating				690
Dielectric strength			kV	10
Rated impulse withstand voltage			kV	12
Rated thermal current and rated operational current AC20/DC20	/ambient 40°C /ambient 40°C /ambient 60°C with minimum conductor cross section	in Open Execution in Enclosure in Enclosure	A A A	160 160 140
			mm ²	70
Rated operational current, AC-21A		up to 415V 440-690V	A A	160 160
Rated operational current, AC-22A		up to 415V 440-690V 690V	A A A	160 160 160
Rated operational current, AC-23A		up to 415V 440V 500V 690V	A A A A	160 160 160 160
Rated operational current / poles in series, DC-21A			up to 48V	A
		110V 220V 440V	A A A	160/2 160/2 160/3
Rated operational current / poles in series, DC-22A			up to 48V	A
		110V 220V 440V	A A A	160/2 160/2 160/3
Rated operational current / poles in series, DC-23A			up to 48V	A
		110V 220V 440V	A A A	160/2 160/2 160/3
Rated operational power, AC-23A	The kW-ratings are accurate for 3-phase 1500 R.P.M. standard asynchronous motors.	220-240V 400-415V 440 500 690	kW kW kW kW	45 75 75 90 110
Rated making capacity, AC-23A	at 0.35pf	415v	A	1600
Rated breaking capacity, AC-23A		up to 415 440 500 690	A A A A	1280 1200 1200 890
Rated making/breaking capacity DC-23A	3P in series, tc = 15ms	220V		640
Rated conditional short-circuit current r.m.s.		690V/500V	kA	80
	Back up fuse rating		A	160
	Corresponding max. cut-off permitted		kAp	18
	Short circuit making capacity lcm		Ka	18
Rated short-time withstand current	R.M.S. -value lcv	415V 0.1sec 415V 1sec	kA kA	- 5
Rated short circuit making capacity	Peak value lcm	690V/500V	kA	18
Rated capacitor power	The capacitor ratings are limited by the fuse link.	400V 415V	kVAr kVAr	60 60
Power loss / pole	At rated operational current		w	4
Mechanical endurance	Divide by two for operation cycles		Oper.	10,000
Electrical Endurance	Power factor = 0.65		Oper.	1,000
Weight without accessories	With handle and shaft	3-Pole 4-Pole	kg kg	1.8 2.25
Terminal tightening torque	Counter torque required		Nm	16
Operating torque	3-pole switch-disconnector		Nm	6

2) IEC-947-3, utilisation category B, Infrequent operation

3) pf 0.95

4) pf 0.65

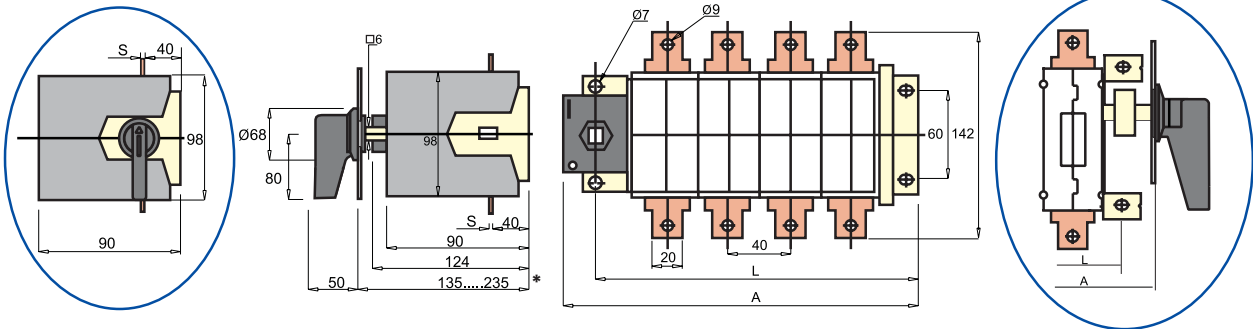
LOAD BREAK SWITCHES

250	400	630	800	1000	1250	1600	1800	2500	3150
250K3/4	400K3/4	630K3/4	800K3/4	1000K3/4	1250K3/4	1600K3/4	1800K3/4	2500K3/4	3150K3/4
1000	1000	1000	1000	1000	1000	1000	1000	1000	1000
690	690	690	690	690	690	690	690	690	690
10	10	10	10	8	8	8	8	8	8
12	12	12	12	12	12	12	12	12	12
315	500	630	800	1000	1250	1600	1800	2500	3150
250	400	630	720	1000	1250	1600	1600	2300	2700
220	350	500	600	900	1000	1250	1250	1950	2300
120	2x150	2x185	2x240	2x(60x5)	2x(80x5)	2x(100x5)	2x(100x5)	4x(100x5)	3x(100x10)
250	400	630	800	1000	1250	1600	1800	2500 ²⁾	3150 ²⁾
250	400	630	800	1000	1250	1600	1800	2500 ²⁾	3150 ²⁾
315	500	630	800	1000	1250	1600	1600	1600	1600
250	400	630	800	1000	1250	1600	1600	1600 ²⁾	1600 ²⁾
250	400	630	800						
250	400	630	720	800	800	800	800		
250	400	590	720						
250	400	580	620						
250	350	350	420						
160/2	250/2	400/2	630/1	800/1	1000/1	1250/1	1600/1		
250/2	400/2	630/2	800/2	1000/2	1250/2	1600/2			
250/2	400/2	630/2	800/2	1000/3	1250/3	1600/3			
250/3	400/3	630/3	800/3						
160/2	250/2	400/1	630/1	800/1					
250/2	400/2	630/2	800/2						
250/2	400/2	630/2	630/2						
250/3	400/3	630/3	630/3						
160/2	250/2	400/1	630/1	800/1					
250/2	400/2	630/2	800/2						
250/2	400/2	630/2	630/2						
250/3	400/3	630/3	630/3						
75	132	180	200	250	250	250	250	250	250
132	200	315	355	400	400	400	400	400	400
132	315	355	355	400	400	400	400	400	400
160	315	355	400	450	450	450	450	450	450
200	315	355	355						
2500	4000	6300	8000	10000					
2000	3200	5040	6400	8000	6400	6400	6400	6400	6400
2000	3200	4720	5360					6400	6400
2000	3200	4640	4800					6400	6400
2000	2800	2800	2800	2500 ³⁾	2500 ³⁾	2500 ³⁾	2500 ³⁾	4800 ⁴⁾	4800 ⁴⁾
1000	1600	2520	3200	4000	1900	2600	2600	2600	2600
100	100	80	80	80	50	50	50	50/63	50/63
250	400	630	800	1000	1000	1250	1250	1250	1250
30	36	36	36	36					
30	36	36	36	36					
-	35	35	40	60	60	60	60	110	110
8	20	24	24	50	50	50	50	80	80
35	65	80	80	105	105	105	105	105/140	105/140
115	250	300	350	630					
115	250	300	350	630					
5.5	13	22	40	27	40	67	74	90	140
10,000	10 000	10 000	10 000	10,000	10,000	10,000	10,000	6000	6000
1,000	1000	500	500	500	500	500	500	500	500
3.5	4.5	5.2	5.4	11.5	12	15.6	16	36.2	36.2
4.2	5.4	6.1	6.5	15	15.5	20	20.5	45.4	45.4
30	45	50	75	75	75	75	75	75	75
8.2	17	21	21	21	21	21	21	50	50



DIMENSIONS

63A - 160A (DM)



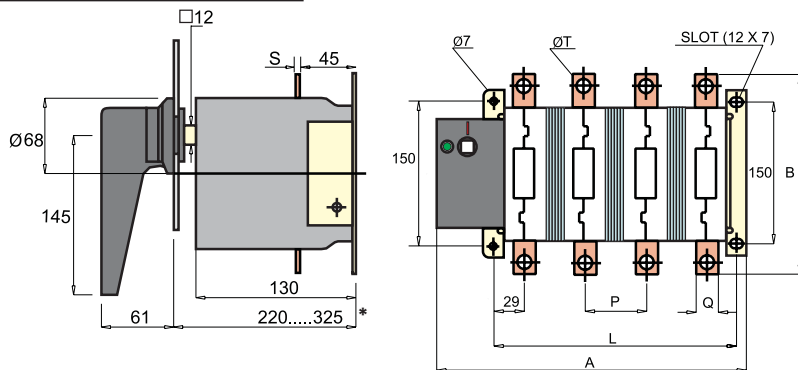
Dimensions Front Operated

Rating	A		L		S
	3P	4P	3P	4P	
63-100A	190	230	160	200	2
100-125A	190	230	160	200	3

Dimensions Side Operated

Rating	A		L		S
	3P	4P	3P	4P	
63-100A	245	205	198	158	2
100-125A	245	205	198	158	3

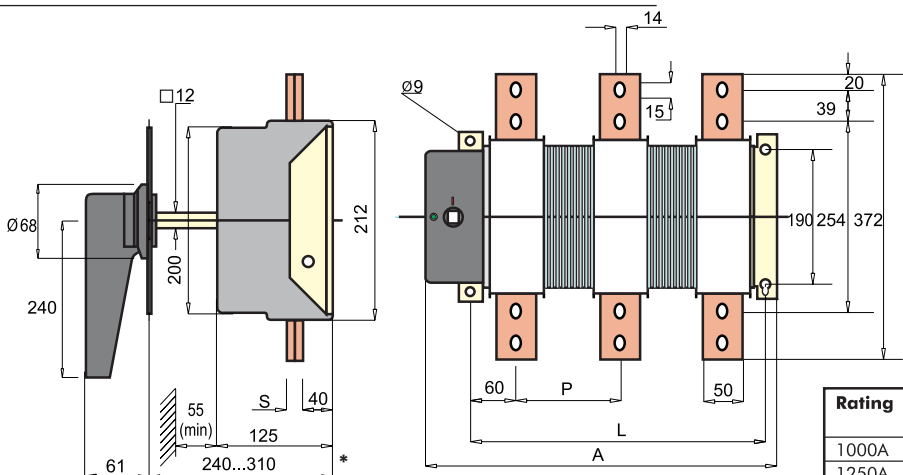
200A - 800A



Rating	A		B		L		P	Q	S	T
	3P	4P	3P	4P	3P	4P				
200A	211	257	205	151	197	46	25	4	11	
250A	211	257	205	151	197	46	25	4	11	
400A	211	257	205	151	197	46	25	4	11	
630A	244	306	223	183	245	62	40	5	13.5	
800A	260	330	223	199	269	70	40	5	13.5	

* Standard mounting range without modifying shaft length

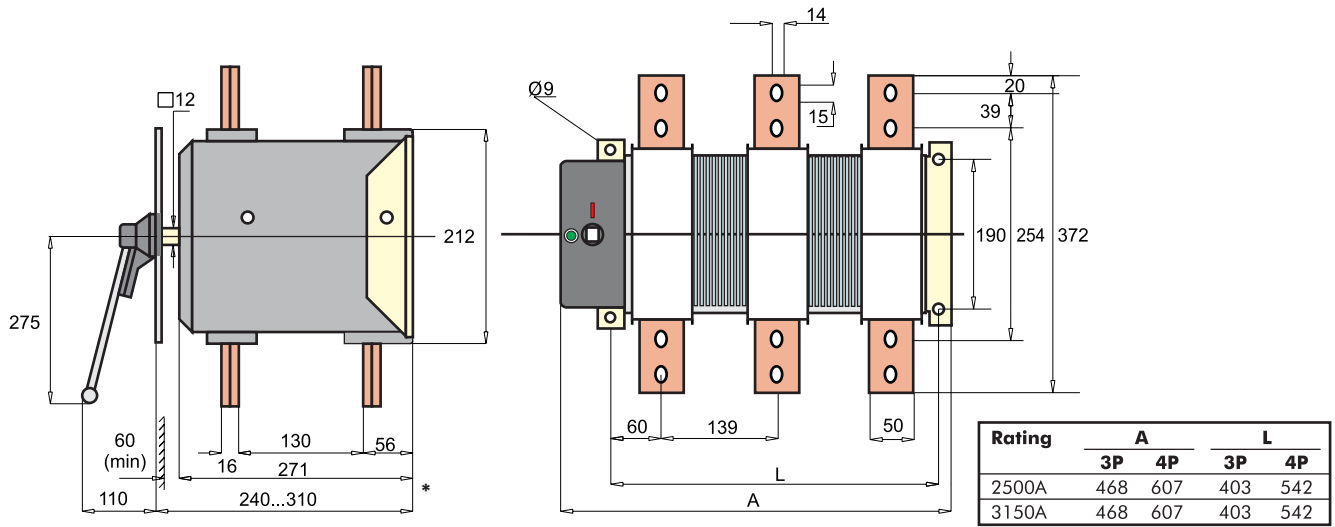
1000A - 1800A



Rating	A		L		P	S
	3P	4P	3P	4P		
1000A	343	423	278	358	80	12
1250A	343	423	278	358	80	12
1600A	461	600	396	535	139	16
1800A	461	600	396	535	139	16

DIMENSIONS

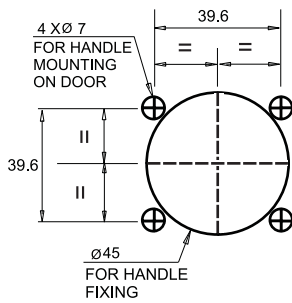
2500A - 3150A



* Standard mounting range without modifying shaft length

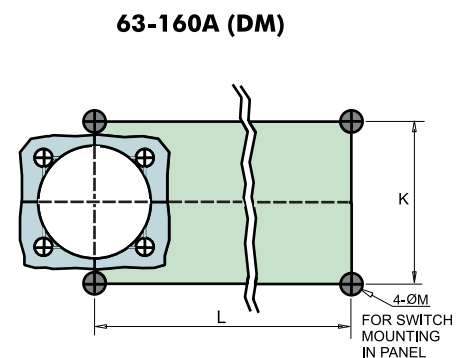
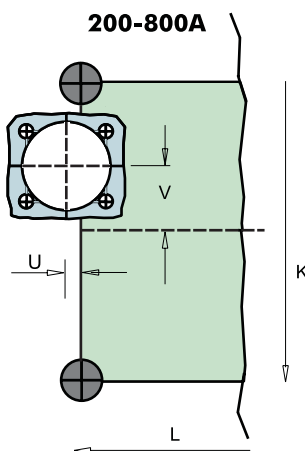
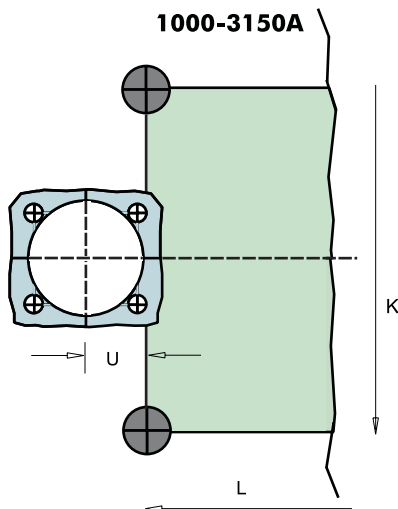
HANDLE MOUNTING / DRILLING DETAILS

Mounting Details, 63A - 315A (DM) & 200A - 3150A



For Mounting Details

Rating	K	L		M	U	V
		TPN	4P			
63A-160A	60	200	160	7	-	-
200A-400A	150	151	197	7	7	28
630A	150	183	245	7	7	28
800A	150	199	269	7	7	28
1000A-1250A	190	278	358	9	245	-
1600A-1800A	190	396	535	9	245	-
2500A-3150A	190	403	542	9	245	-





SEE ALSO

GE ML CAM SWITCHES

Features:

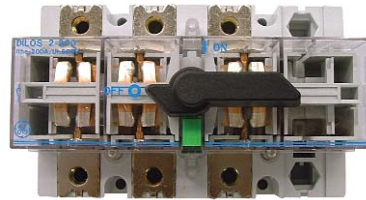
- »»» Manually operated main switches
- »»» AC-23 motor rated
- »»» Lockable
- »»» Red/Yellow handle
- »»» 25-125A
- »»» Door mounting & Base mounting



GE DILOS 1 & 2 DIN MOUNT SWITCHES

Features:

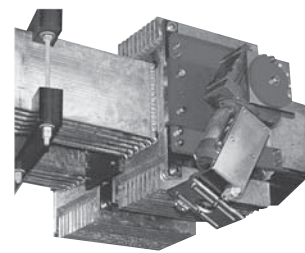
- »»» Load Break switches
- »»» DIN profile & mounting
- »»» AC-23 motor rated
- »»» Lockable
- »»» Door clutch handle option
- »»» 63-200A



FERRAZ SHAWMUT HIGH CURRENT SWITCHES

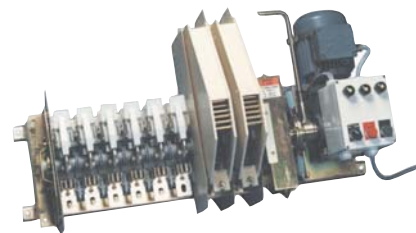
Features:

- »»» High current disconnectors
- »»» 2000V DC
- »»» Ratings from 5,000 to 160,000A



Features:

- »»» DC Load Break Switches
- »»» 1000V DC
- »»» Ratings from 800 to 6,300A

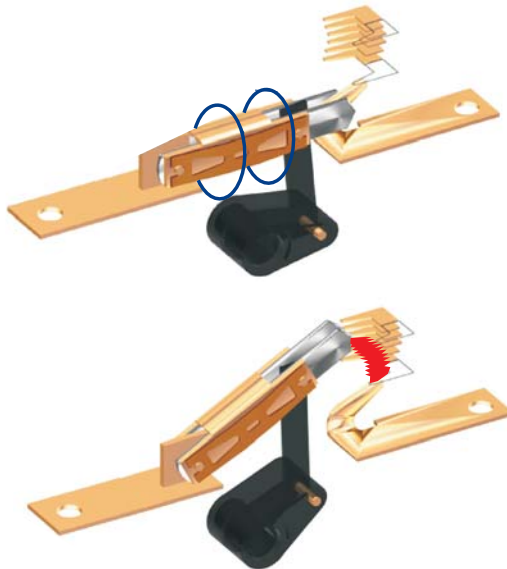
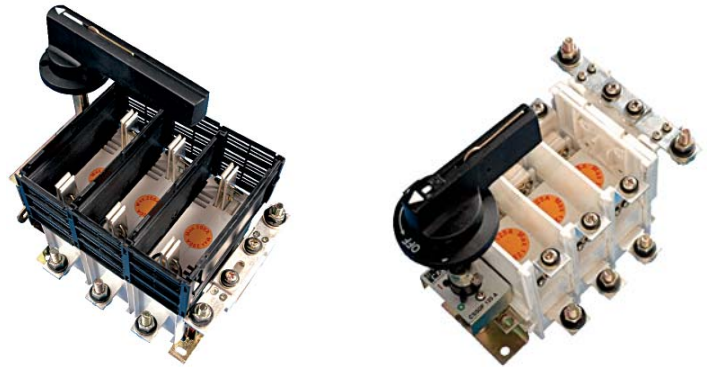


Medium voltage disconnecter also available

FUSE SWITCHES

Features:

- »»» 690v AC
- »»» 32 - 800A
- »»» BS & DIN formats
- »»» Tested to IEC60947
- »»» Double break contacts



UNIQUE CONTACT MECHANISM

Efficient Switching & Long life

Switch Disconnector Fuse units 200A and above employ a unique Knife Contact Mechanism on both sides of the fuse link. It uses the magnetic attraction principle in iron circuits on the moving contacts. When current increases, the contact force also increases, ensuring optimum contact at all times, high making and breaking capacity up to 690V and low temperature rise leading to long electrical life.

The special form of fixed contacts along with the arc-chute fins blows the arc into the arc-chute where it is swiftly extinguished under controlled conditions making it safer.

With every switching cycle, the knife contacts clean themselves. This makes them perfectly suited for applications such as motor and capacitor switching. All these qualities make them ideally suited for adverse conditions in general and for high pollution and corrosive conditions as in Chemical Plants, Cement Plants, Steel Plants, etc.

SWITCH CONSTRUCTION

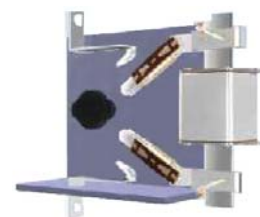
Safety Built-in

C&S designers introduced the concept of protection in case of "welded contacts". In the event of high currents and protection systems failing to operate, leading to a welding of contacts, the handle will not turn beyond 45° from the ON position, clearly indicating that the contacts are welded.

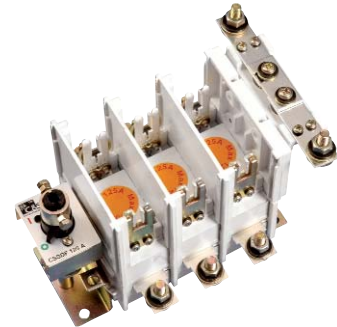
In the OFF position, the fuse is discharged from both sides (double break), permitting safe inspection or removal.

The individual pole is housed in a fibreglass reinforced insulated body that is self-extinguishing and can withstand high temperatures. The high tracking index makes these switches almost flashover-proof and extremely safe.

Door interlocking prevents the door opening in the ON position, guarding the operator against an accidental mishap. As a standard, up to 3 padlocks can be utilised in the OFF position to prevent closing the circuit during maintenance work. The interlock can be defeated with a minor modification where required.



FUSE SWITCHES



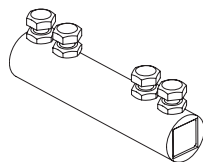
RANGE					
Part Number 3 pole BS88	CSSDF32B3	CSSDF63B3	CSSDF100B3	CSSDF125B3	CSSDF160B3
Part Number 4 pole BS88	CSSDF32B4	CSSDF63B4	CSSDF100B4	CSSDF125B4	CSSDF160B4
Part Number 3 pole DIN	CSSDF32D3	CSSDF63D3	CSSDF100D3	CSSDF125D3	CSSDF160D3
Part Number 4 pole DIN	CSSDF32D4	CSSDF63D4	CSSDF100D4	CSSDF125D4	CSSDF160D4
OPERATION					
Current rating	32A	63A	100A	125A	160A
Fuse link	TIA	TIA/TIS	TCP	TCP/TFP	TC/TF
Operational kW AC-23 @ 415V	15	30	55	55	75
DIMENSIONS					
Height mm	107	107	142	142	142
Width (3 Pole) mm	168	168	190	190	190(DIN) 212(BS)
Width (4 Pole) mm	201	201	230	230	230(DIN) 265(BS)
Depth mm	136	136	134	134	134
ACCESSORIES					
Spare handle	CSDB 20	CSDB 20	CSDB 20	CSDB 20	CSDB 20
Spare shaft - standard	6x165mm	6x165mm	6x165mm	6x165mm	6x165mm
Spare shaft - extended	CSP-6x340	CSP-6x340	CSP-6x340	CSP-6x340	CSP-6x340
12mm shaft extension socket	-	-	-	-	-
Direct handle mounting kit	-	-	-	-	-
Auxiliary 1 c/o	CSSDF-ZX 46	CSSDF-ZX 46	CSSDF-ZX 1	CSSDF-ZX 1	CSSDF-ZX 1
Auxiliary 2 c/o	CSSDF-ZX 32	CSSDF-ZX 32	CSSDF-ZX 16	CSSDF-ZX 16	CSSDF-ZX 16
Extended terminals 3p	ET323	ET323	ET327	ET327	ET327
Terminal shrouds (6)	-	-	SF702-K	SF702-K	SF702-K
Fuse cover (1 pole)	-	-	-	-	-
Phase barrier (1)	INCLUDED	INCLUDED	INCLUDED	INCLUDED	INCLUDED
Castell type interlock mech ¹⁾	CSSDF-ZW15	CSSDF-ZW15	CSSDF-ZW15	CSSDF-ZW15	CSSDF-ZW15
Neutral link	CSSDF ZX 87	CSSDF ZX 87	CSSDF ZX 86	CSSDF ZX 86	CSSDF ZX 86
Changeover mechanism	CSSF-ZW1	CSSF-ZW1	CSSF-ZW1	CSSF-ZW1	CSSF-ZW1
RECOMMENDED ENCLOSURES					
Metal Part Number	ELS50640		ELS50640		
W x H x D (mm)	300 x 300 x 200		300 x 300 x 200		
Polyester Part Number	APO41		APO41		
W x H x D (mm)	300 x 300 x 175		300 x 300 x 175		

Standard Shaft and Handle included with switch

- 1) Fortress Lock types
 - H31/RH (LPF)
 - FS1 (CASTELL)



Changeover Mechanism



12mm Shaft Coupling



Key Interlock Components

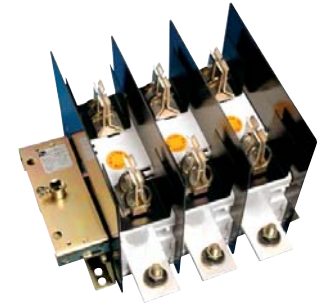


Handle & Shaft



Handle Mounting Kit
(200A-1800A)

FUSE SWITCHES



CSSDF200B3	CSSDF250B3	CSSDF315B3	CSSDF400B3	CSSDF630B3	CSSDF800B3
CSSDF200B4	CSSDF250B4	CSSDF315B4	CSSDF400B4	CSSDF630B4	CSSDF800B4
CSSDF200D3	CSSDF250D3	CSSDF315D3	CSSDF400D3	CSSDF630D3	CSSDF800D3
CSSDF200D4	CSSDF250D4	CSSDF315D4	CSSDF400D4	CSSDF630D4	CSSDF800D4
200A	250A	315A	400A	630A	800A
TC/TF	TC/TF	TF/TKF	TKF/TMF	TM/TTM	TTM/TLM
110	132	180	200	355	400
200	200	200	200	320	320
260	260	284	284	343	343
320	320	354	354	423	423
185	185	193	193	223	223
CSDB 16	CSDB 16	CSDB 16	CSDB 16	CSDB 28	CSDB 28
12x255mm	12x255mm	12x255mm	12x255mm	12x255mm	12x255mm
CSP-12x465	CSP-12x465	CSP-12x465	CSP-12x465	CSP-12x465	CSP-12x465
CSSDZX95	CSSDZX95	CSSDZX95	CSSDZX95	CSSDZX95	CSSDZX95
HMK-1	HMK-1	HMK-1	HMK-1	HMK-3	HMK-3
CSSDF-ZX 33	CSSDF-ZX 33	CSSDF-ZX 33	CSSDF-ZX 33	CSSDF-ZX 35	CSSDF-ZX 35
CSSDF-ZX 34	CSSDF-ZX 34	CSSDF-ZX 34	CSSDF-ZX 34	CSSDF-ZX 36	CSSDF-ZX 36
ET329	ET329	ET329	ET329	-	-
SF703-K	SF703-K	SF703-K	SF703-K	SF704-K	SF704-K
CSWPL0026	CSWPL0026	CSWPL0029	CSWPL0029	CSWPL0033	CSWPL0036
CSWPL0032	CSWPL0032	CSWPL0032	CSWPL0032	CSWPL0039	CSWPL0039
CSSDF-ZW4	CSSDF-ZW4	CSSDF-ZW4	CSSDF-ZW4	CSSDF-ZW4	CSSDF-ZW4
CSSDF ZX 85	CSSDF ZX 85	CSSDF ZX 85	CSSDF ZX 85	CSSDF ZX 88	CSSDF ZX 88
CSSF-ZW12/1	CSSF-ZW12/1	CSSF-ZW12/1	CSSF-ZW12/1	CSSF-ZW12	CSSF-ZW12
ELS50725		ELS50725		ELS50729	
400 x 500 x 250		400 x 500 x 250		400 x 600 x 300	
APO81*		APO11		APO11*	
300 x 555 x 175		370 x 600 x 210		370 x 600 x 210	

2
FUSE SWITCHES

* Depth extension required

Standard Shaft and Handle included with switch



Auxiliary Contacts
200A & above



Auxiliary Contacts
32A to 160A



Terminal Shrouds



1 Pole Fuse Cover



Phase Barrier



Neutral Link

FUSE SWITCHES



Technical data according to IEC 60947

Switch size		A	32	63	
CSSDF					
Rated insulation voltage	Pollution degr. 3	50 Hz 1min.	V	750	750
Dielectric strength			kV	10	10
Rated impulse withstand voltage			kV	12	12
Rated thermal current in ambient 40°C /max. fuse power dissipation ¹⁾	In open air		A / W		
	In enclosure		A / W	32	63
	In enclosure with solid links		A		
...with minimum cable cross section		Cu	mm ²		
Rated operational voltage AC-20 and DC-20			V	690	690
Rated operational current, AC-21A		up to 500 V	A	32	63
		690 V	A	-	-
Rated operational current, AC-22A		up to 500 V	A	32	63
		690 V	A	-	-
Rated operational current, AC-23A		up to 500 V	A	32	63
		690 V	A	-	-
Rated operational current / poles in series DC-21A		48V	A	32/2	63/2
		110-220V	A	32/2	63/2
		440V	A	32/4	63/4
Rated operational current / poles in series DC-22A		48V	A	32/2	63/2
		110-220V	A	32/2	63/2
		440V	A	32/4	63/4
Rated operational current / poles in series DC-23A		48V	A	32/2	63/2
		110-220V	A	32/2	63/2
		440V	A	32/4	63/4
Rated operational power, AC-23 ²⁾	The kW -rating are accurate for three phase 1500 R.P.M standard asynchronous motors.	230V	kW	7.5	18.5
		400V	kW	15	30
		415V	kW	15	30
		500V	kW	-	-
		690V	kW	-	-
Rated breaking capacity in category AC-23		up to 500 V	A	256	504
		690 V	A	-	-
Rated breaking capacity / poles in series	in category DC-23	up to 220V	A	128/2	252/2
Rated conditional (fused) short-circuit current RMS			kA	80	80
	Back-up fuse rating		A	32	63
	Corresponding max. cut-off permitted		kAp	6	10
Rated capacitor power	The capacitor rating of switch fuse is limited by the fuse link	415	kVAr	16	32
		690	kVAr	-	-
Power loss / pole	with rated current without fuse		W	1	4
Mechanical endurance		Cycles		20,000	20,000
Electrical endurance	At 0.65pf	Cycles		1,500	1,500
Fuse types, IEC 60269-2-1	DIN			OO	OO
	BS88			A2,A3	A2,A3
	Fixing centres for BS88			73mm	73mm
Weight without accessories	3-Pole		kg	1.6	1.6
	4-Pole		kg	1.9	1.9
Terminal suitable for cable lug of size			mm ²	16	25
Terminal tightening torque	counte torque required		Nm	3.5	5.5
Operating torque	typical for 3-pole switch fuse		Nm	3	4

1) Ambient temperature 60 °C: derating 20%. Mounting on "ceiling": derating 10%. Mounting on wall, horizontal fuses: derating 8%

2) Some fuse links limit these figures further. Starting current characteristics must be considered separately.

FUSE SWITCHES

100	125	160	200	250	315	400	630	800
750	750	750	1000	1000	1000	1000	1000	1000
10	10	10	10	10	10	10	10	10
12	12	12	12	12	12	12	12	12
			200/22	250/32	315/32	400/45	630/60	800/65
100	125	160	200/22	250/23/230/27	315/32	400/34,360/37	600/45,570/50	720/55
			280	315	400	450	700	910
			95	120	185	240	2X180	2X240
690	690	690	690	690	690	690	690	690
100	125	160	200	250	315	400	630	800
-	-	-	200	250	315	400	630	800
100	125	160	200	250	315	400	630	800
-	-	-	200	250	315	400	630	800
100	125	160	200	250	315	400	630	720
-	-	-	200	250	315	400	630	720
100/2	125/2	160/2	200/2	250/2	315/2	400/2	630/2	800/2
100/2	125/2	160/2	200/2	250/2	315/2	400/2	630/2	800/2
100/3	125/3	160/3	200/2	250/2	315/2	400/2	630/2	800/2
100/2	125/2	160/2	200/2	250/2	315/2	400/2	630/2	800/2
100/2	125/2	160/2	200/2	250/2	315/2	400/2	630/2	800/2
100/3	125/3	160/3	200/2	250/2	315/2	400/2	630/2	800/2
100/2	125/2	160/2	200/2	250/2	315/2	400/2	630/2	800/2
100/2	125/2	160/2	200/2	250/2	315/2	400/2	630/2	800/2
100/4	125/4	125/4	200/2	250/2	315/2	400/2	630/2	800/2
30	37	45	55	75	90	110	200	200
55	55	75	110	132	160	200	355	400
55	55	75	110	132	180	200	355	400
-	-	-	132	160	220	250	450	500
-	-	-	160	200	250	355	560	710
800	1000	1280	1600	2000	3200	3200	5760	5760
-	-	-	1600	2000	3200	3200	5760	5760
400/2	500/2	640/2	1000/2	1000/2	1600/2	1600/2	3200/2	3200/2
80	80	80	80	80	80	80	80	80
100	125	160	200	250	315	400	630	800
12	15	18	24	28	32	36	60	65
42	55	65	100	115	160	200	270	340
-	-	-	160	190	250	325	450	550
4	5	9	5	11	13	30	55	77
15,000	15,000	15,000	10,000	10,000	10,000	10,000	6,000	6,000
1,000	1,000	1,000	1,000	1,000	1,000	1,000	1,000	1,000
OO	OO	OO	1	1	2	2	3	-
A4	A4	B1-B2	B1-B2	B1-B2	B1-B4	B1-B4	C1-C3	C1-C3
73mm	73mm	111mm	111mm	111mm	111mm	111mm	133,184mm	133,184mm
2.2	2.2	2.2	7	7	7.3	7.8	15.5	17
2.5	2.5	2.5	8	8	8.3	8.8	19	21
95	95	120	240	240	300	300	400	625
9	12	16	25	30	35	45	50	75
8	8	8	22	22	22	22	28	28

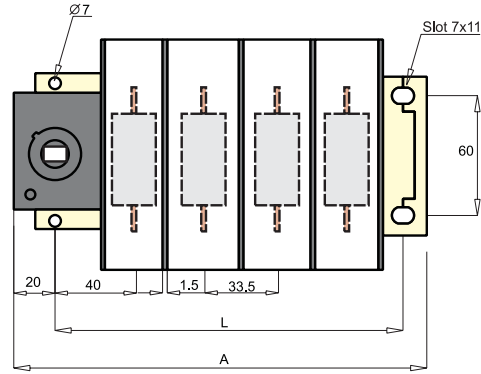
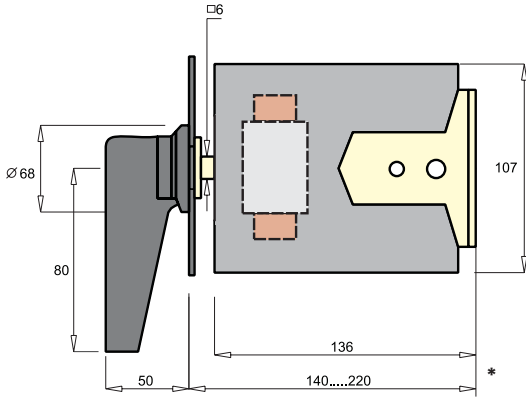
2

FUSE SWITCHES

FUSE SWITCHES



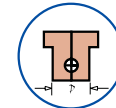
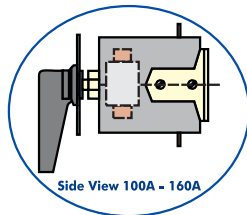
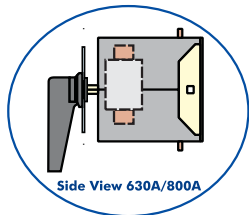
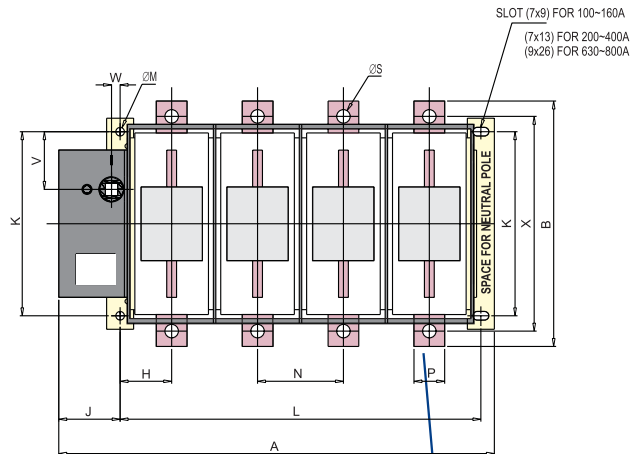
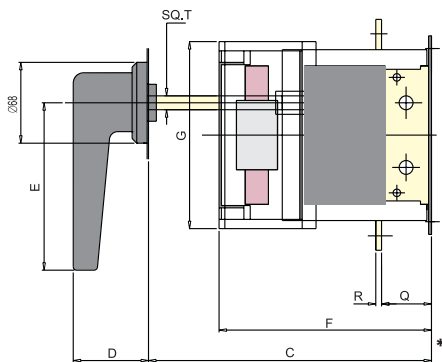
32A & 63A, DIN / BS



* Standard mounting range without modifying shaft length

Rating (A)	A	L
TP/TPN	168	138
4 Pole	201	171

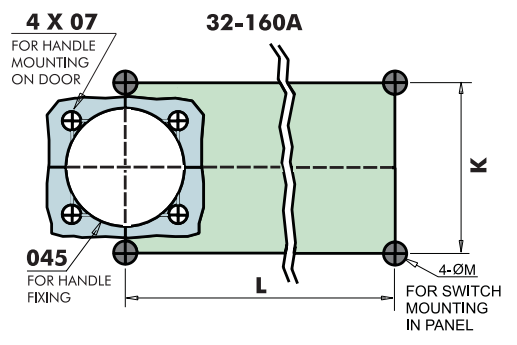
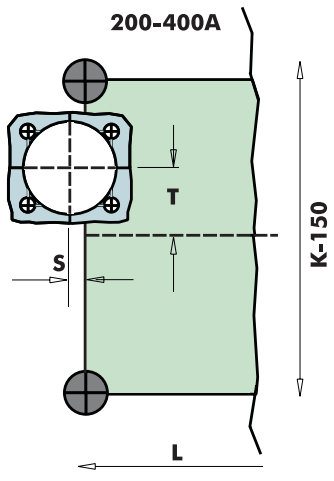
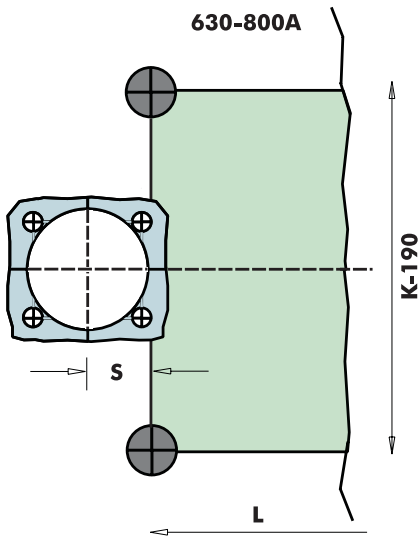
100A & 800A, DIN / BS



Rating (A)	A		B	C	D	E	F	G	H	J	K	L		M	N	P	Q	R	S	T	V	W	X	
	TPN	4P										TPN	4P											
100 - 125	190	230	142	135	225	50	80	134	98	44.5	20	60	160	200	7	40	20	40	2	9	6	30	0	122
160 DIN	190	230	142	135	225	50	80	134	98	44.5	20	60	160	200	7	40	20	40	3	9	6	30	0	122
160 BS	212	260	142	135	225	50	80	134	98	44.5	20	60	182	230	7	48	20	40	3	9	6	30	0	122
200 - 250	260	320	200	220	310	61	145	184	162	38	50	150	199	260	7	62	25	45	5	11	12	47	7	175
315 - 400	285	355	200	220	310	61	145	184	162	42	50	150	223	294	7	70	25	45	5	11	12	47	7	175
630 DIN	343	423	320	240	310	61	240	223	244	59	52.5	190	278	358	9	80	50	40	6	13	12	95	24.5	266
630-800BS	403	503	320	240	310	61	240	223	244	64	52.5	190	338	438	9	100	50	40	6	13	12	95	24.5	266

FUSE SWITCHES

Mounting Details, 32A - 800A



Rating	K	L		M	S	T
		TPN	4P			
32 - 63	60	138	171	7	-	-
100 - 160DIN	60	160	200	7	-	-
100 - 160BS	60	182	235	7	-	-
200 - 250	150	199	259	7	7	28
315 - 400	150	223	294	7	7	28
630 - 800	190	278	358	9	24.5	-



SEE ALSO

ELECTRONIC FUSE MONITOR - FM690

Features:

- »»» Compact
- »»» No need for external supply voltage
- »»» Wide voltage range 380 - 690Vac
- »»» Alarm contact 1 N/O + 1 N/C
- »»» Automatic reset after fuses replaced



MINISTACK

Features:

- »»» Heavy Duty Construction
- »»» Clear Isolation
- »»» 100 - 800A ratings
- »»» Configured to order
- »»» AC - 23 @ 415V
- »»» 63kA 1 second

Ideal for custom Switchboard applications

Frame Sizes:

- »»» 100/200A
- »»» 400/630A
- »»» 800A



MODSTACK

Features:

- »»» Modular design
- »»» 160 - 630A ratings
- »»» AC - 230 @ 500V
- »»» Plug-in System

Ideal for Modular Switchboard Systems such as:



Frame Sizes:

- »»» 160A
- »»» 250A
- »»» 400/630A



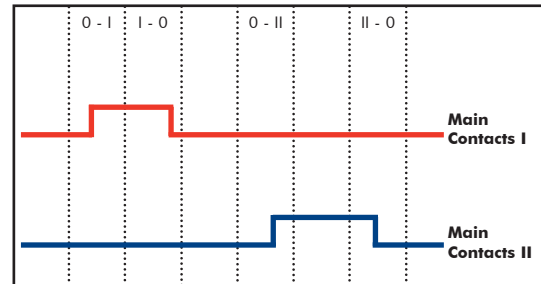
CHANGEOVER SWITCHES

Panel mount changeover switch solutions are available in either a compact single footprint model or by adding an external changeover mechanism to a pair of load break switches or switch fuses.

Features:

- »»» Compact single switch footprint
- »»» AC23A 415V
- »»» Modular construction
- »»» Tested to IEC60947
- »»» 63 - 1600A
- »»» Visible contacts

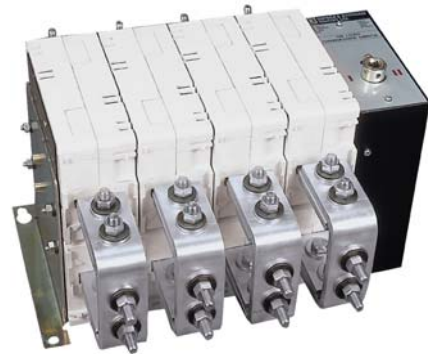
Changeover Switch Timing Diagram



COMPLETE SWITCHES

Rating (A)	3 pole	4 pole
63	CSCS63DM3CO	CSCS63DM4CO
100	CSCS100DM3CO	CSCS100DM4CO
125	CSCS125DM3CO	CSCS125DM4CO
160	CSCS160DM3CO	CSCS160DM4CO
200	CSCS200DM3CO	CSCS200DM4CO
250	CSCS250DM3CO	CSCS250DM4CO
315	CSCS315DM3CO	CSCS315DM4CO
400	CSCS400K3CO	CSCS400K4CO
630	CSCS630K3CO	CSCS630K4CO
1000	CSCS1000K3CO	CSCS1000K4CO
1250	CSCS1250K3CO	CSCS1250K4CO
1600	CSCS1600K3CO	CSCS1600K4CO

Higher ratings available by request

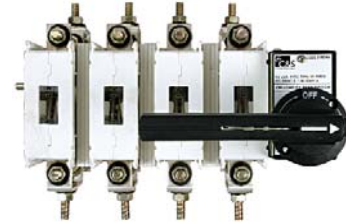


EXTERNAL MECHANISMS

Part No.	Fuse switch ratings	Load break ratings
CSSF-ZW1	32 - 160A	-
CSSF-ZW12/1	200 - 400A	-
CSSD-ZW6/1	-	160A
CSSF-ZW11	-	250 - 800A
CSSF-ZW12	630 - 800A	1000 - 3150A

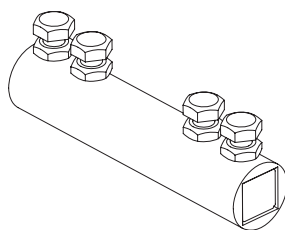


CHANGEOVER SWITCHES



RANGE					
Part Number 3 pole	CSCS63DM3CO	CSCS160DM3CO	CSCS200DM3CO	CSCS250DM3CO	CSCS315DM3CO
Part Number 4 pole	CSCS63DM4CO	CSCS160DM4CO	CSCS200DM4CO	CSCS250DM4CO	CSCS315DM4CO
OPERATION					
Current rating	63A	160A	200A	250A	315A
Short circuit rating 1 second	5kA	5kA	8kA	8kA	8kA
DIMENSIONS					
Height mm	142	142	163	163	163
Width (3 pole) mm	216	216	249	249	249
Width (4 pole) mm	256	256	310	310	310
Depth mm	183	183	242	242	242
ACCESSORIES					
Standard terminal barrier	-	-	Included	Included	Included
Spare Handle	CSDB-25	CSDB-25	CSDB-25	CSDB-25	CSDB-25
Spare shaft - standard	12x200mm	12x200mm	12x200mm	12x200mm	12x200mm
Spare shaft - extended	CSP-12x465	CSP-12x465	CSP-12x465	CSP-12x465	CSP-12x465
12mm shaft extension socket	CSSDZX95	CSSDZX95	CSSDZX95	CSSDZX95	CSSDZX95
Auxiliary 1 c/o	CSCS-ZX1-U	CSCS-ZX1-U	CSCS-ZX2	CSCS-ZX2	CSCS-ZX2
Auxiliary 1 c/o lower	CSCS-ZX1-L	CSCS-ZX1-L	-	-	-
Auxiliary 2 c/o	CSCS-ZX3-U	CSCS-ZX3-U	CSCS-ZX4	CSCS-ZX4	CSCS-ZX4
Auxiliary 2 c/o lower	CSCS-ZX3-L	CSCS-ZX3-L	-	-	-
Terminal shrouds (6)	SF702-K	SF702-K	SF703-K	SF703-K	SF703-K

Standard Shaft and Handle included with switch



12mm Shaft Coupling



Handle & Shaft

CHANGEOVER SWITCHES



CSCS400K3CO	CSCS630K3CO	CSCS800K3CO	CSCS1000K3CO	CSCS1250K3CO	CSCS1600K3CO
CSCS400K4CO	CSCS630K4CO	CSCS800K4CO	CSCS1000K4CO	CSCS1250K4CO	CSCS1600K4CO
400A	630A	800A	1000A	1250A	1600A
20kA	24kA	24kA	50kA	50kA	50kA
205	223	223	372	372	372
282	282	282	356	356	400
352	352	352	436	436	502
262	262	262	260	260	260
Included	Included	Included	-	-	-
CADB-30	CADB-30	CADB-30	CADB-30	CADB-30	CADB-30
12x205mm	12x205mm	12x205mm	12x205mm	12x205mm	12x205mm
CSP-12x465	CSP-12x465	CSP-12x465	CSP-12x465	CSP-12x465	CSP-12x465
CSSDZX95	CSSDZX95	CSSDZX95	CSSDZX95	CSSDZX95	CSSDZX95
CSCS-ZX2	CSCS-ZX2	CSCS-ZX2	CSCS-ZX2	CSCS-ZX2	CSCS-ZX2
-	-	-	-	-	-
CSCS-ZX4	CSCS-ZX4	CSCS-ZX4	CSCS-ZX4	CSCS-ZX4	CSCS-ZX4
-	-	-	-	-	-
SF703-K	SF704-K	SF704-K	SF704-K	SF704-K	-

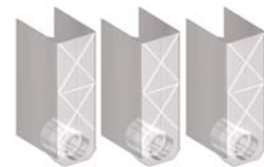
Standard Shaft and Handle included with switch



**Auxiliary Contacts
200A & above**



**Auxiliary Contacts
32A to 160A**



Terminal Shrouds

3
CHANGEOVER SWITCHES

CHANGEOVER SWITCHES



Data according to IEC60947-3

		Switch size	CSCS	63	100	125
Rated insulation voltage	Pollution degree 3	Ui	V	1000	1000	1000
Maximum operational voltage	AC20/DC20	Ue	V	690	690	690
Dielectric strength		50 Hz 1min.	kV	3.5	3.5	3.5
Rated impulse withstand voltage			kV	12	12	12
Rated thermal current and rated operational current	AC20/DC20					
/ ambient 40°C In open air		In open air	A	63	100	125
/ ambient 40°C In enclosure		In enclosure	A	63	100	125
/ ambient 60°C In enclosure		In enclosure	A	55	85	110
..with minimum conductor cross section Cu			mm ²	70	70	70
Rated operational current, AC-21A		up to 690 V	A	63	100	125
Rated operational current, AC-22A		up to 500 V	A	63	100	125
		690 V	A	63	100	125
Rated operational current, AC-23A		up to 415 V	A	63	100	125
		440 V	A	63	100	125
		500 V	A	-	-	-
		690 V	A	-	-	-
Rated operational power, AC-23A	The kW ratings are accurate for 3-phase 1500 R.P.M. standard asynchronous motors	220-240 V	kW	22	30	37
		400-415 V	kW	30	45	55
		440 V	kW	30	45	55
		500 V	kW	37	55	75
		690 V	kW	55	75	90
Rated Making Capacity AC-23A	pf = 0.35	415V	A	630	1000	1250
Rated Breaking Capacity AC-23A	pf = 0.35	415V	A	504	800	1000
Capacitor rating		415v 3ph	kVAr	50	50	50
Rated short-time withstand current	RMS value Icw	690V, 1s	kA	5	5	5
Rated short circuit making capacity	Peak value Icm	690V/500V	kA	10	10	10
Mechanical endurance		Cycles		10,000	10,000	10,000
Electrical Endurance		Cycles		5,000	5,000	5,000
Terminal tightening torque			Nm	16	16	16
Operating torque	3-pole switches		Nm	8	8	8

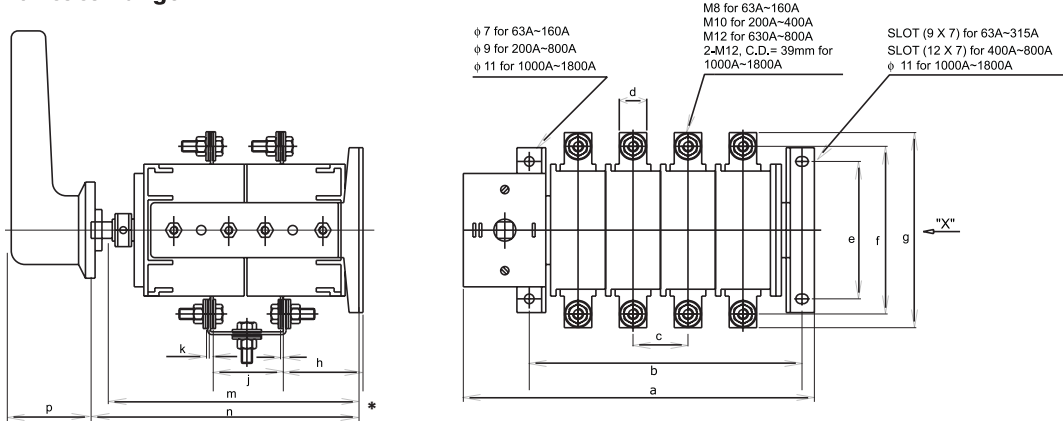
CHANGEOVER SWITCHES

160	200	250	315	400	630	800	1000	1250	1600
1000	1000	1000	1000	1000	1000	1000	1000	1000	1000
690	690	690	690	690	690	690	690	690	690
3.5	10	10	10	10	10	10	8	8	8
12	12	12	12	12	12	12	8	8	8
160	250	315	350	500	630	800	1000	1250	1600
160	200	270	315	500	630	720	1000	1250	1600
140	175	220	260	410	500	600	900	1000	1250
70	95	120	185	2x	2x	2x	2x	2x	2x
				150	185	240	(60x5)	(80x5)	(100x5)
160	200	250	315	500	630	800	1000	1250	1600
160	200	250	315	500	630	800	1000	1250	1600
160	200	250	315	500	630	800			
160	200	250	315	500	630	720	800	800	800
160	200	250	315	500	590	670	800	800	800
-	200	250	315	500	580	600	800	800	800
-	200	250	315	350	350	350			
45	55	75	90	132	180	200	250	250	250
75	110	132	160	200	315	355	400	400	400
75	110	132	160	315	355	355	400	400	400
90	132	160	200	315	355	400	450	450	450
110	170	200	250	315	355	355			
1600	2000	2500	3150	4000	6300	7200	8000	8000	8000
1280	1600	2000	2520	3200	5040	5760	6400	6400	6400
50	90	110	140	250	300	350	630	630	-
5	8	8	8	20	24	24	50 2)	50 2)	50 2)
10	30	30	30	40	80	80	105	105	105
10,000	10,000	10,000	10,000	10,000	10,000	10,000	10,000	10,000	10,000
1,000	1,000	1,000	1,000	1,000	500	500	500	500	500
16	30..44	30..44	30..44	30..44	50..75	50..75	50..75	50..75	50..75
8	13	13	13	22	22	22	25	25	25

DIMENSIONS

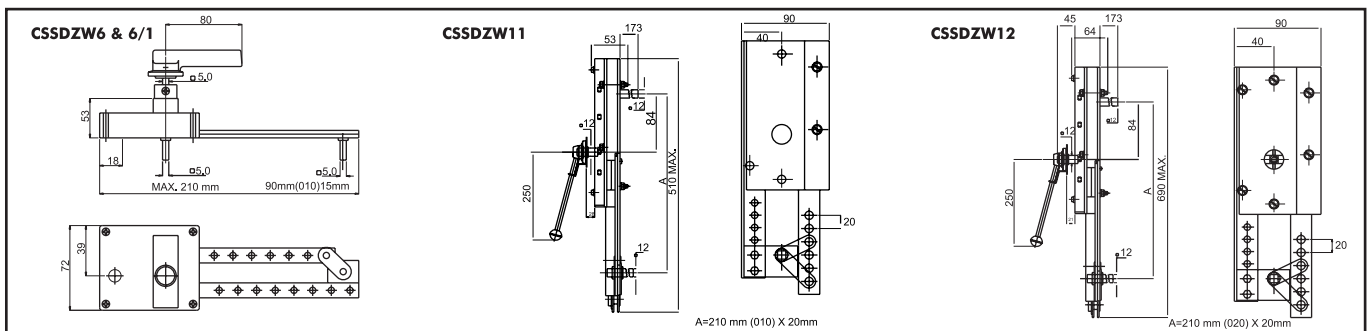


For CSCS Range

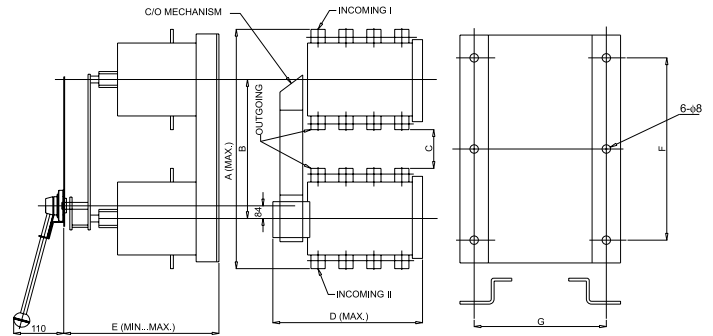
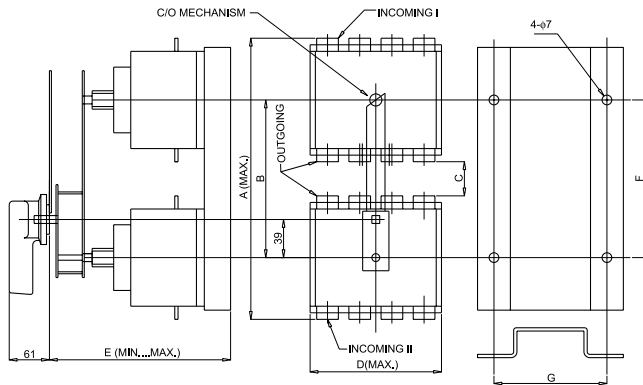


* Standard mounting range without modifying shaft length

Rating	a	b	c	d	e	f	g	h	i	k	m	n	p
63A	255.5	198.5	40	20	100	122	142	58	51	2.0	182.5	195-295	61
80A	255.5	198.5	40	20	100	122	142	58	51	2.0	182.5	195-295	61
100A	255.5	198.5	40	20	100	122	142	58	51	2.0	182.5	195-295	61
125A	255.5	198.5	40	20	100	122	142	57	53	3.0	182.5	195-295	61
160A	255.5	198.5	40	20	100	122	142	57	53	3.0	182.5	195-295	61
200A	309.5	252	61	25	124	138	163	65.5	81	4.0	242	255-355	61
250A	309.5	252	61	25	124	138	163	65.5	81	4.0	242	255-355	61
315A	309.5	252	61	25	124	138	163	65.5	81	4.0	242	255-355	61
400A	352	276	70	25	150	180	205	85	96	4.0	262	300-400	61
630A	352	276	70	40	150	185	223	84	98	5.0	262	300-400	61
800A	352	276	70	40	150	185	223	84	98	5.0	262	300-400	61
1000A	436	358	80	50	220	332	372	78	108	12	260	330-450	61
1250A	436	358	80	50	220	332	372	78	108	12	260	330-450	61
1600A	502	424	102	50	220	332	372	74	116	16	260	330-450	61
1800A	502	424	102	50	220	332	372	74	116	16	260	330-450	61
2500A	ON REQUEST												
3150A	ON REQUEST												



DIMENSIONS



Type of C/o Switches	DIMENSION							Type of C/o Mechanism
	A	B	C	D	E	F	G	
CSSD25D4CO	187	120	52	95	180...210	120	86	CSSDZW6
CSSD40D4CO	187	120	52	95	180...210	120	86	CSSDZW6
CSSD63D4CO	277	180	83	145	180...210	180	145	CSSDZW6/1
CSSD125D4CO	277	180	83	145	180...210	180	145	CSSDZW6/1

Type of C/o Switches	DIMENSION							Type of C/o Mechanism
	A	B	C	D	E	F	G	
CSSD200K00D4/K4CO	635	430	225	335	250...325	580	251	CSSDZW11
CSSD630K4CO	653	430	207	360	250...325	580	299	CSSDZW11
CSSD800K4CO	653	430	207	384	250...325	580	323	CSSDZW11
CSSD1000/1250K4CO	984	610	240	457	300...350	800	412	CSSDZW12
CSSD1600/1800K4CO	984	610	240	635	300...350	800	590	CSSDZW12
CSSD2500/3150K4CO	984	610	240	800	445...495	769	624	CSSDZW12

INDEX

Part No.	Page No.	Part No.	Page No.	Part No.	Page No.	Part No.	Page No.	Part No.	Page No.
CSCS1000K3CO	21	CSDA 8	5	CSSD630K3	4	CSSDF315B3	13	CSSDF-ZX 33	4
CSCS1000K4CO	21	CSDB 16	4	CSSD630K4	4	CSSDF315B4	13	CSSDF-ZX 34	4
CSCS1250K3CO	21	CSDB 20	4,12	CSSD800K3	4	CSSDF315D3	13	CSSDF-ZX 35	5
CSCS1250K4CO	21	CSDB 28	5,13	CSSD800K4	4	CSSDF315D4	13	CSSDF-ZX 36	5
CSCS1600K3CO	21	CSDB-25	20	CSSDF ZX 85	13	CSSDF32B3	12	CSSDF-ZX 46	12
CSCS1600K4CO	21	CSDB-30	21	CSSDF ZX 86	12	CSSDF32B4	12	CSSD-ZW4	4,5
CSCS160DM3CO	20	CSP-12X255	4,5,13,14	CSSDF ZX 87	12	CSSDF32D3	12	CSSDZW6/1	4
CSCS160DM4CO	20	CSP-12X465	4,5,13,14,20,21	CSSDF ZX 88	13	CSSDF32D4	12	CSSD-ZX95	4,5
CSCS200DM3CO	20	CSP-6X165	4,12	CSSDF100B3	12	CSSDF400B3	13	CSSF-ZW1	12
CSCS200DM4CO	20	CSP-6X340	4,13	CSSDF100B4	12	CSSDF400B4	13	CSSF-ZW11	4
CSCS250DM3CO	20	CSSD1000K3	5	CSSDF100D3	12	CSSDF400D3	13	CSSF-ZW12	5,13
CSCS250DM4CO	20	CSSD1000K4	5	CSSDF100D4	12	CSSDF400D4	13	CSSF-ZW12/1	13
CSCS315DM3CO	20	CSSD1250K3	5	CSSDF125B3	12	CSSDF630B3	13	CSWPL0026	13
CSCS315DM4CO	20	CSSD1250K4	5	CSSDF125B4	12	CSSDF630B4	13	CSWPL0029	13
CSCS400K3CO	21	CSSD1600K3	5	CSSDF125D3	12	CSSDF630D3	13	CSWPL0032	13
CSCS400K4CO	21	CSSD1600K4	5	CSSDF125D4	12	CSSDF630D4	13	CSWPL0033	13
CSCS630K3CO	21	CSSD160DM3	4	CSSDF160B3	12	CSSDF63B3	12	CSWPL0036	13
CSCS630K4CO	21	CSSD160DM4	4	CSSDF160B4	12	CSSDF63B4	12	CSWPL0039	13
CSCS63DM3CO	20	CSSD1800K3	5	CSSDF160D3	12	CSSDF63D3	12	ET323	12
CSCS63DM4CO	20	CSSD1800K4	5	CSSDF160D4	12	CSSDF63D4	12	ET327	4,12
CSCS800K3CO	21	CSSD2500K3	5	CSSDF200B3	13	CSSDF800B3	13	ET328	4
CSCS800K4CO	21	CSSD2500K4	5	CSSDF200B4	13	CSSDF800B4	13	ET329	4,13
CSCS-ZX1-L	20	CSSD250K3	4	CSSDF200D3	13	CSSDF800D3	13	ET330	4
CSCS-ZX1-U	20	CSSD250K4	4	CSSDF200D4	13	CSSDF800D4	13	HMK-1	4,13
CSCS-ZX2	20,21	CSSD3150K3	5	CSSDF250B3	13	CSSDF-ZW15	4	HMK-3	4,13
CSCS-ZX3-L	20	CSSD3150K4	5	CSSDF250B4	13	CSSDF-ZX 1	4	SF702-K	4,12,20
CSCS-ZX3-U	20	CSSD400K3	4	CSSDF250D3	13	CSSDF-ZX 16	4	SF703-K	4,13,20
CSCS-ZX4	20,21	CSSD400K4	4	CSSDF250D4	13	CSSDF-ZX 32	12	SF704-K	4,5,13,21



National Customer Support Centre

Telephone: 1300 556 601 Facsimile: 1300 550 187 www.ipdgroup.com.au



Sales & Technical Support

Tel: 1300 556 601

Fax: 1300 550 187

custservice@ipdgroup.com.au



National Customer Support Centre

Telephone: 1300 556 601 Facsimile: 1300 550 187 www.ipdgroup.com.au